

AURORA

3,065L Rectangle - no seats

2,600mm x 1,240mm x 1,490mm



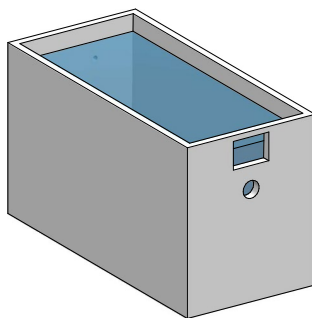
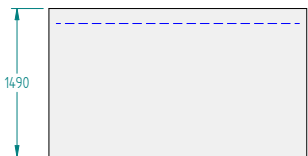
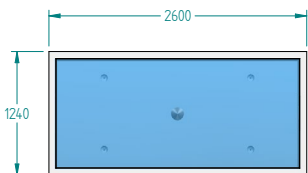
OUR SMALLEST PLUNGE POOL AVAILABLE, THE AURORA IS PERFECT FOR THOSE WHO ARE LIMITED ON SPACE. SHORT AND LONG SEATING UPGRADE AVAILABLE!

Ideal for those with limited backyard space, the Aurora is the smallest Plunge Pool available within our range. With the option of adding a short or long bench seat, this pool is the perfect option for those wanting something to cool off in that can't fit a larger pool. The Aurora measures 2.6m x 1.24m x 1.49m.

Our precast Plunge Pools are a popular option for the Australian backyard as they can be installed above ground, semi in ground or fully in ground. The pool will be delivered to site with your selected pool interior as well as with pre plumb, meaning that your pool can be fully installed within 1-2 days. Although we operate as a manufacturer and don't get involved with installation, we do have a network of different installers we can refer you to (location pending).

Alternatively, you can use a local builder (they don't have to be a pool builder).

If looking at ways to take your Plunge Pool to the next level we have a large range of Upgrades available. For those wanting to use their pools all year round we have heating options as well as spa covers available to suit most job requirements. If looking to incorporate a spa component to your pool we also have our Spa Jet Package upgrade.



OVERALL DIMENSIONS:	2,600mm length x 1,240mm width x 1,490mm high
EXTERNAL HEIGHT:	1,490mm
INTERNAL HEIGHT:	1,325mm
WEIGHT SHELL ONLY:	3,184kg approx.
WEIGHT TILED: (Optional)	3,500kg approx.
TILE AREA:	11.72m ² approx.
WATER HEIGHT: (based on middle of skimmer)	1,175mm
WATER VOLUME:	3,065L
EQUIPMENT BRAND:	Fluidra

FINISHING OPTIONS:

Tiles - Glass or ceramic available. Tiled in factory.

Aqualux Interior - Commercial grade Membrane interior.



PLUNGE
pools
DIRECT

Ph: 03 9726 0756

Chirnside Park VIC 3116

E: sales@plungepoolsdirect.com.au

www.plungepoolsdirect.com.au





Use your Plunge Pool 365 days a year. Ask us how!

PLUNGE POOL PACKAGES



This industry standard package is the ideal choice for customers who don't require the features of our upgraded packages. The Economy Package features high-end AstralPool equipment.



The Gold Package is our automatic system. This mineral pool package gives you the highest quality equipment with the least maintenance possible! It balances and doses itself and sends the readings to your smart phone!

Pump	CTX280 1HP Single Speed Pump	Viron P320XT Variable Speed Pump
Chlorinator	Viron E25 Chlorinator	Halo Chlor 18
Chemical System	Salt (Not Included)	MagnaPool Mineral System
Halo pH & ORP Bundle	Not Available	Included
Halo Expand	Not Available	Included
Wireless Internet Remote (Halo)	Not Available	Included
Filter Type	XC100 Cartridge Filter	XC250 Cartridge Filter
Light	ATOM Multicolour LED Light with Transformer	ATOM Multicolour LED Light
Skimmer	APA Large Skimmer with Lid	APA Large Skimmer with Lid
Eyeball Return	Included	Included
Handover Kit	Included	Included
Pre Plumb	Light, Returns & Manifold	Light, Returns & Manifold
Engineering Structural Certificate	Included	Included
Hydraulics Certificate	Included	Included

* Specifications are subject to change

AVAILABLE UPGRADES



ECO INVERTER iHP 12kW HEAT PUMP



SUPER SWIM POLE



IXI200 OR IXI370 LPG OR NATURAL GAS HEATER



HARD COVERS AND SOFT COVERS



HX120 LPG OR NATURAL GAS HEATER



AQUALUX POOL INTERIOR



ZODIAC TX35 TORNAX ROBOTIC POOL CLEANER



GLASS TILES



SPA JETS X 6



PLUMBING SKID